

Safety & Warranty



Keep small children away during the installation.

Cutting or drilling into electrical cords or cables can cause death or serious personal injury. Always make sure the area behind the mounting surface is free of electrical wires and cables before drilling or installing fasteners.

Cutting or drilling into water or gas plumbing can cause death or serious personal injury. Always make sure the area behind the mounting surface is free of gas, water, waste, and any other plumbing before drilling or installing fasteners.

Please visit www.cableconceal.com to order additional HDMI cables and accessories, and to learn more about our product including detail installation video.

Cable Conceal Customer Information Services Center:
1-626-939-4226

LIMITED WARRANTY

The manufacturer of this product warrants this product ("Product") against defects in material or workmanship for a period of one (1) year from the date of purchase. If a Product is determined to be defective, the manufacturer will repair or replace the defective components at no charge.

This limited warranty does not cover customer instruction, installation, set up adjustments or assembly labor.

This limited warranty does not cover cosmetic damage or damage due to acts of God, accident, misuse, abuse, negligence, commercial use, or modification of, or to any part of the Product. This limited warranty does not cover damage due to improper maintenance, or attempted repair by anyone other than a facility authorized by the manufacturer to service the Product. This limited warranty does not cover Products sold AS IS or WITH ALL FAULTS. This warranty is valid only in the United States.

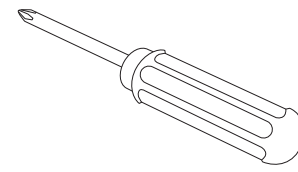
To obtain warranty service, contact ProForma by calling the number listed below. You must present proof of purchase in the form of a bill of sale or receipted invoice which is evidence that the unit is within the warranty period. Components repaired or replaced are warranted for the remainder of the original warranty period only.

REPAIR OR REPLACEMENT AS PROVIDED UNDER THIS LIMITED WARRANTY IS THE EXCLUSIVE REMEDY OF THE CONSUMER. THE MANUFACTURER SHALL NOT BE LIABLE FOR ANY INCIDENTAL OR CONSEQUENTIAL DAMAGES FOR BREACH OF ANY EXPRESS OR IMPLIED WARRANTY ON THIS PRODUCT. EXCEPT TO THE EXTENT PROHIBITED BY APPLICABLE LAW, ANY IMPLIED WARRANTY OF MERCHANTABILITY OR FITNESS FOR A PARTICULAR PURPOSE ON THIS PRODUCT IS LIMITED IN DURATION TO THE DURATION OF THIS LIMITED WARRANTY.

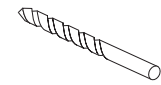
Some states do not allow the exclusion or limitation of incidental or consequential damages, or allow limitations on how long an implied warranty lasts, so the above limitations or exclusions may not apply to you. This warranty gives you specific legal rights, and you may have other rights which vary from state to state.

Tools Required

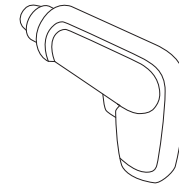
RECOMMENDED



Screw driver

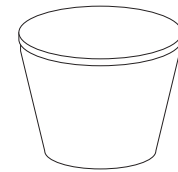


Drill bit: Ø= 3/16" (4.8mm)

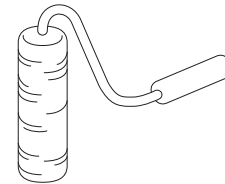


Electric drill

OPTIONAL



Paint



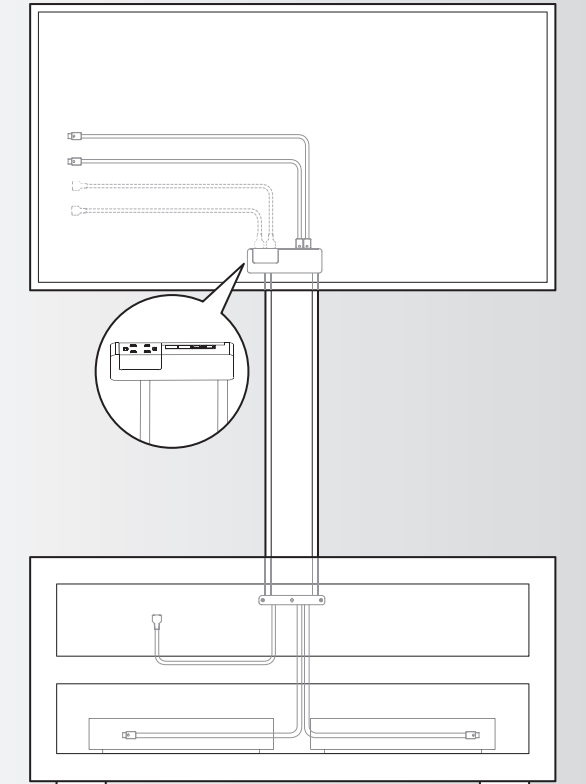
Paint roller

Example

BEFORE



AFTER



PROFORMA

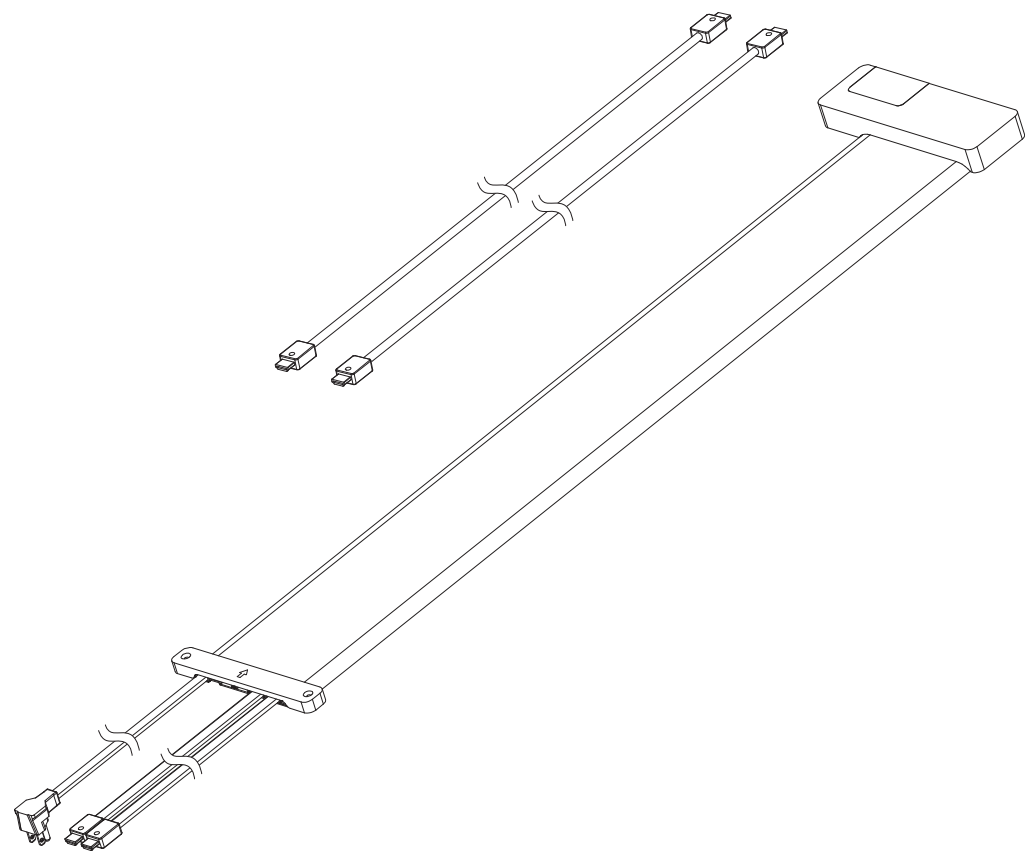
CMS12

**CABLE
CONCEAL**

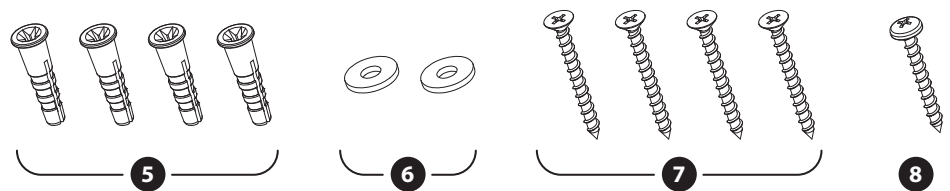
English Instructions

What's Included

MAIN PARTS

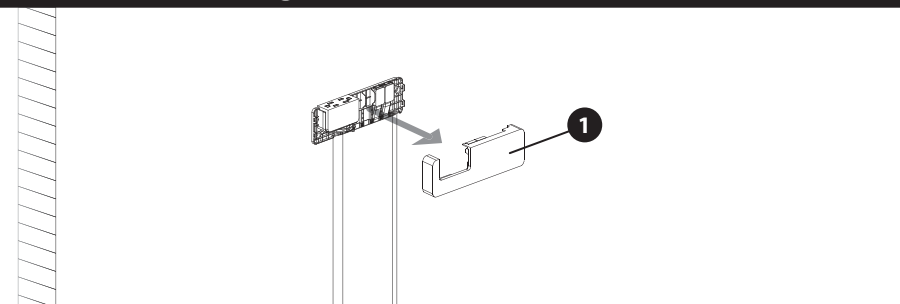


HARDWARES

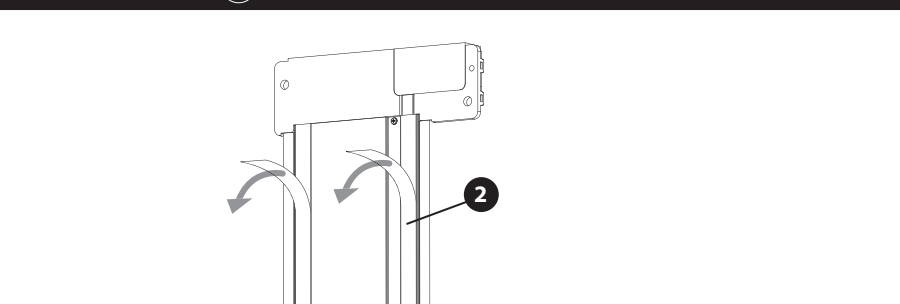


Installation

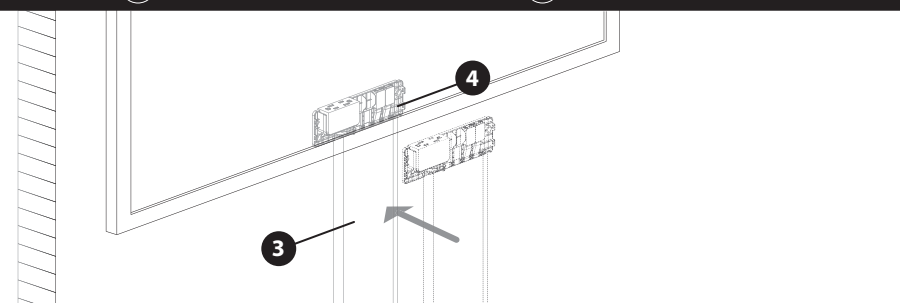
STEP 1: Remove the top bracket cover (1).



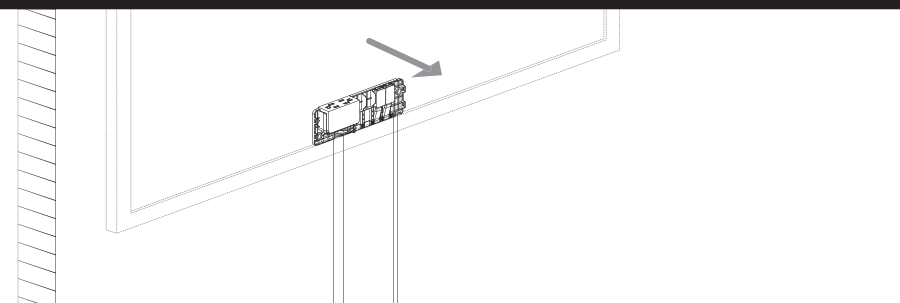
STEP 2: Peel off the adhesive liner (2).



STEP 3: Attach the cover (3) to the wall with the base bracket (4) behind the TV.

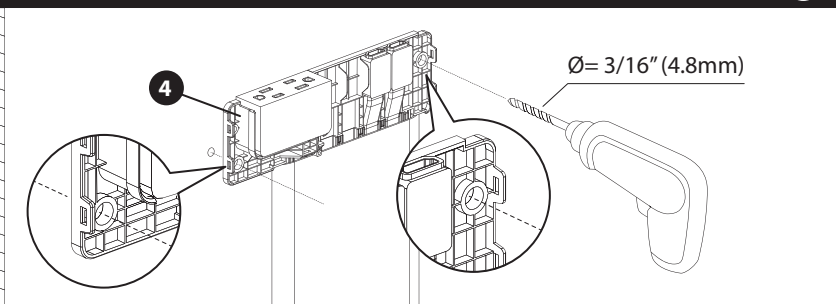


STEP 4: Remove the TV from the wall.

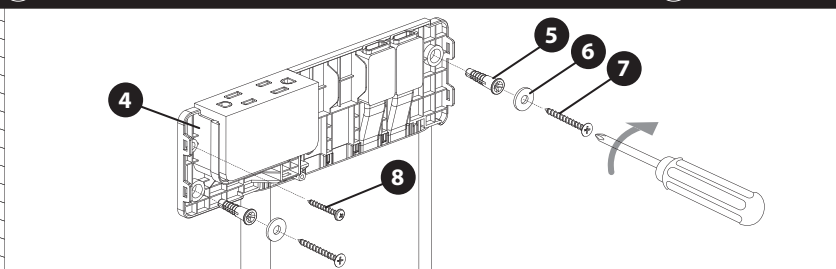


Installation

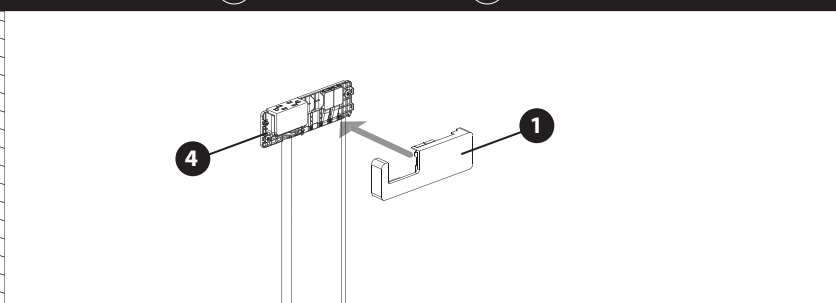
STEP 5: Drill two 3/16" (4.8mm) diameter holes through the two holes on the base bracket (4).



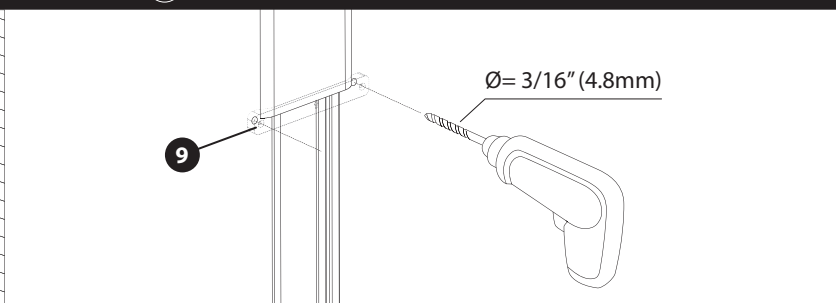
STEP 6: Insert anchors (5), washers (6), and screws (7) through the two larger holes; and screw (8) through the smaller upper left hole on the base bracket (4).



STEP 7: Snap on the top bracket cover (1) to the base bracket (4).

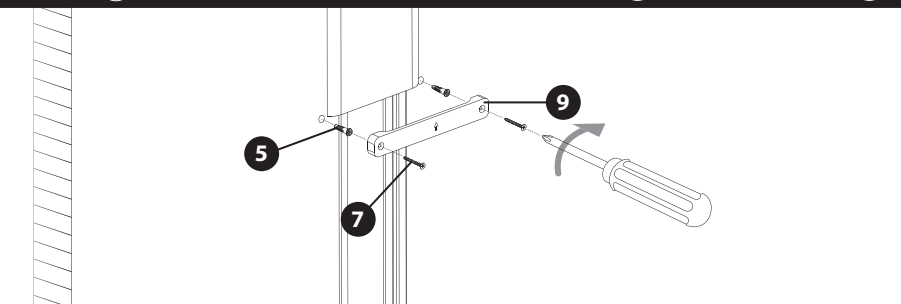


STEP 8: Use the bottom bracket (9) as a template and drill two 3/16" (4.8mm) diameter holes.

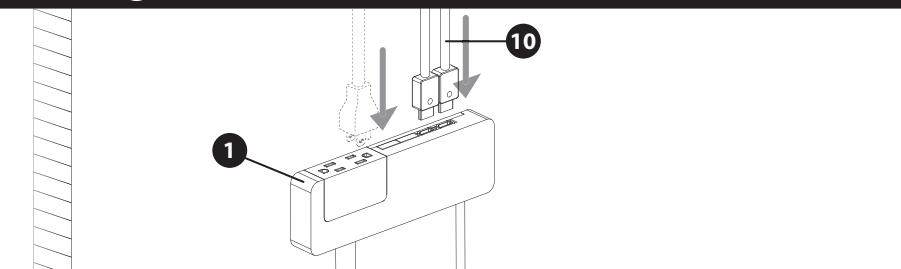


Installation

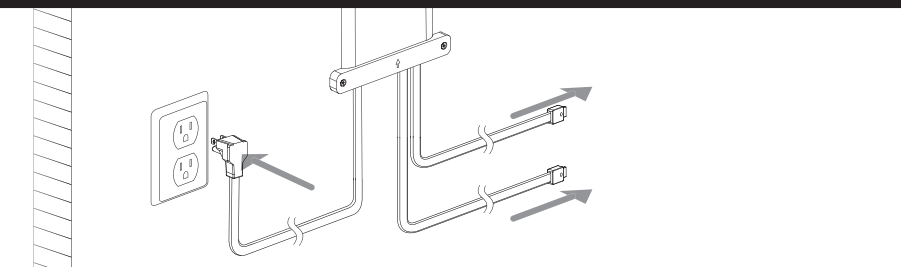
STEP 9: Insert anchor (5) into two holes and attach the bottom cover (9) using two screws (7).



STEP 10: Plug in the TV electrical plug and HDMI cables (10) into the receptacle on the top bracket cover (1).



STEP 11: Plug the bottom electrical plug into the home electrical outlet and the bottom HDMI plug(s) into the Video components.



STEP 12: Optional – paint the cover (3) if desired. **DO NOT PAINT THE TOP BRACKET**

